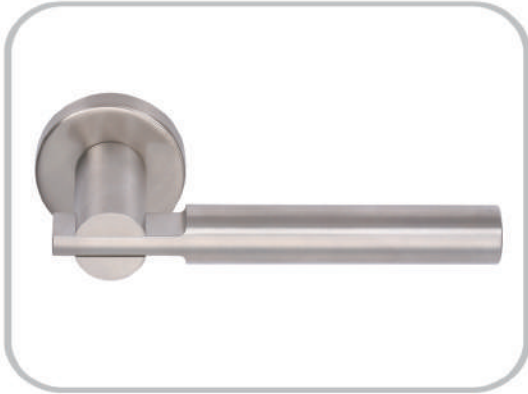


***CABINET &
DOOR HARDWARE***



Lever Door Handle

Stainless Steel 304



KDH-007-0004
Lever Length : 150 mm
Projection : 67 mm
Rose Width : Ø52 mm



KDH-007-0005
Ø 20 mm
Lever : Brass + wood



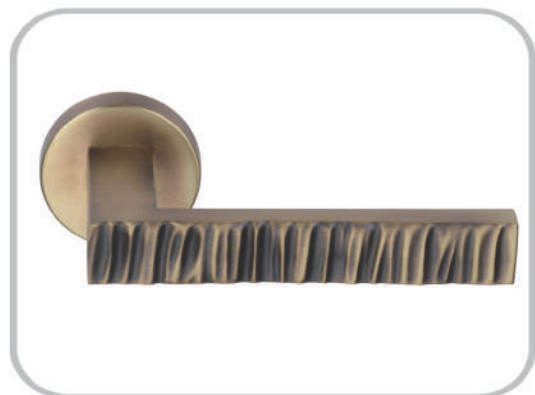
KDH-007-0006
Ø 22 mm
Lever : Zinc



KDH-007-0007
Lever Length : 145 mm
Projection : 68 mm
Rose Width : Ø52 mm
Lever : Aluminum



KDH-007-0008
Lever Length : 133 mm
Projection : 68 mm
Rose Width : Ø 52 mm
Lever : Zinc + Wood



KDH-007-0009
Lever Length : 135 mm
Projection : 61 mm
Rose Width : Ø52 mm
Lever : Zinc

Lever Door Handle

Stainless Steel 304



KDH-007-0010
Lever Length : 135 mm
Projection : 61 mm
Rose Width : Ø52 mm
Lever : Zinc



KDH-007-0011
Ø 22 mm
Lever : Brass



KDH-007-0012
Ø 19 mm
Lever : Zinc



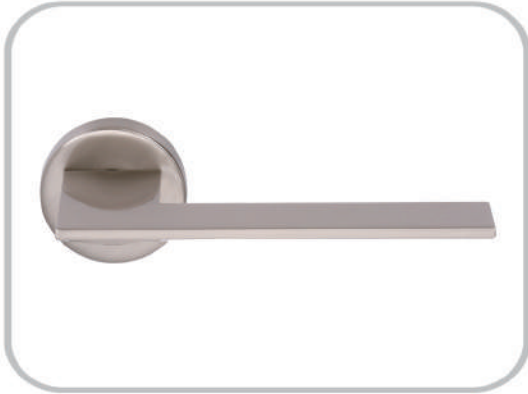
KDH-007-0013
Ø 25 mm
Lever : Zinc + Wood



KDH-007-0014
Ø 30 mm
Lever : Zinc



KDH-007-0015
Ø 25 mm
Lever : Zinc



KDH-007-0016
Lever Length : 149 mm / Projection : 68 mm
Rose Width : Ø52 mm
Lever : Zinc / Concealing Plate : Stainless Steel



KDH-007-0017
Lever Length : 135 mm / Projection : 66 mm
Rose Width : Ø52 mm
Lever : Zinc / Concealing Plate : Stainless Steel



KDH-007-0018
Lever Length : 135 mm / Projection : 66 mm
Rose Width : Ø52 mm
Lever : Zinc + Aluminum / Concealing Plate : Stainless Steel



KDH-007-0019
Ø 25 mm
Zinc



KDH-007-0020
Ø 23 mm
Zinc



KDH-007-0021
Ø 22 mm
Zinc

Lever Door Handle

Lever : Zinc

Concealing Plate : Stainless Steel 304



KDH-007-0031
Ø 18 mm



KDH-007-0032
Ø 22 mm



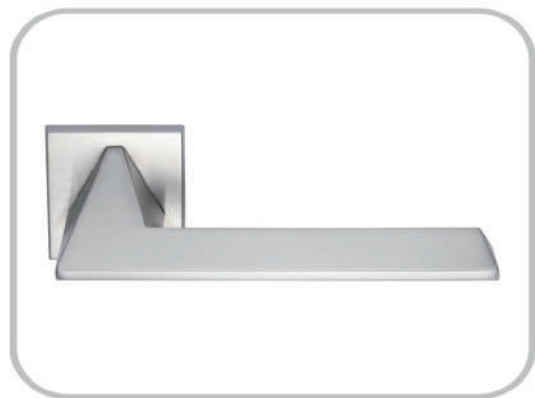
KDH-007-0033
Ø 18 mm



KDH-007-0034
Ø 18 mm



KDH-007-0035
Ø 25 mm

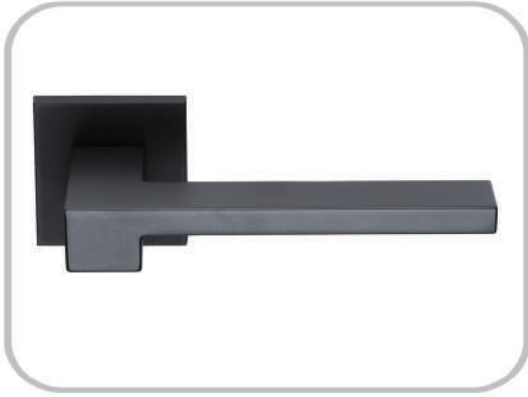


KDH-007-0036
Ø 25 mm

Lever Door Handle

Lever : Zinc

Concealing Plate : Stainless Steel 304



KDH-007-0037
Ø 25 mm



KDH-007-0038
Ø 25 mm



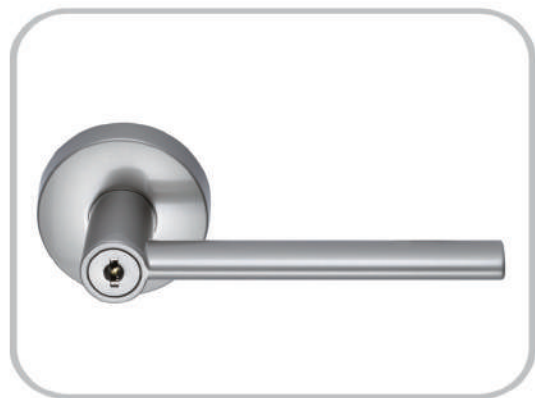
KDH-007-0039
Ø 22 mm



KDH-007-0040
Ø 23 mm



KDH-007-0041
Ø 23 mm



KDH-007-0042
Ø 20 mm

Lever Door Handle

Lever : Zinc
Concealing Plate : Zinc



KDH-007-0043
Ø 23 mm



KDH-007-0044
Lever Length : 5.1" / 130 mm
Projection : 55 mm
Rose Width : 62 mm



KDH-007-0045
Ø 22 mm



KDH-007-0046
Ø 22 mm



KDH-007-0047
Ø 23 mm



KDH-007-0048
Ø 23 mm

Deadbolt

Zinc / Steel



KDH-008-0001
Ø 42 mm / Ø 55 mm



KDH-008-0002
Ø 45 mm



KDH-008-0003
Ø 42 mm / Ø 55 mm



KDH-008-0004
Ø 42 mm / Ø 55 mm



KDH-008-0005
Ø 45 mm



KDH-008-0006
Ø 45 mm



KDH-008-0007
Ø 45 mm



KDH-008-0008
Ø 25 mm



KDH-008-0009
Ø 51 mm



KDH-008-0010
Ø 51 mm



KDH-008-0011
Ø 42 mm



KDH-008-0012
Ø 42 mm

Deadbolt

Zinc / Steel



KDH-008-0013
Ø 42 mm



KDH-008-0014
Ø 42 mm



KDH-008-0015
Ø 42 mm



KDH-008-0016
Ø 51 mm



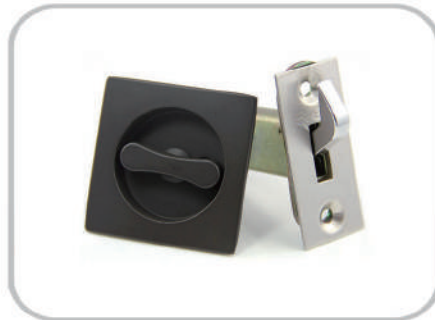
KDH-008-0017
Ø 51 mm



KDH-008-0018
Ø 51 mm



KDH-008-0019
Ø 51 mm



KDH-008-0020
Ø 51 mm

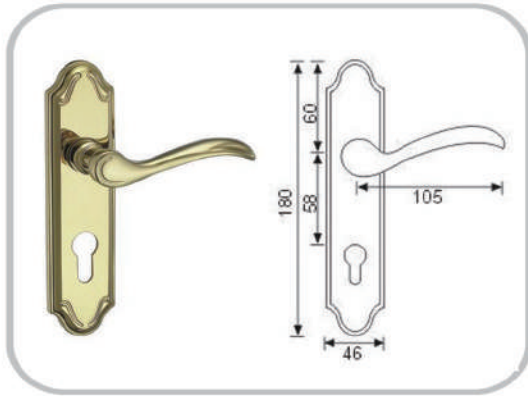


KDH-008-0021
Ø 42 mm / Ø 55 mm

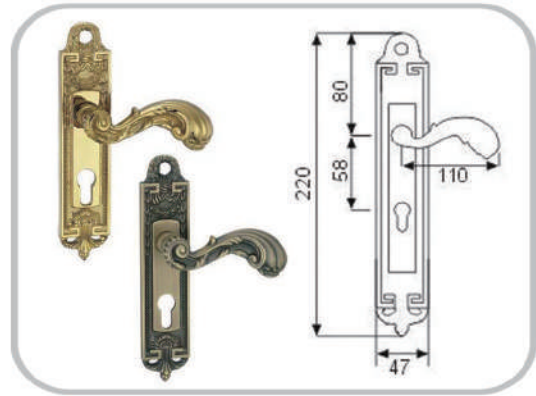
Door Lever Handle on Plate

Brass

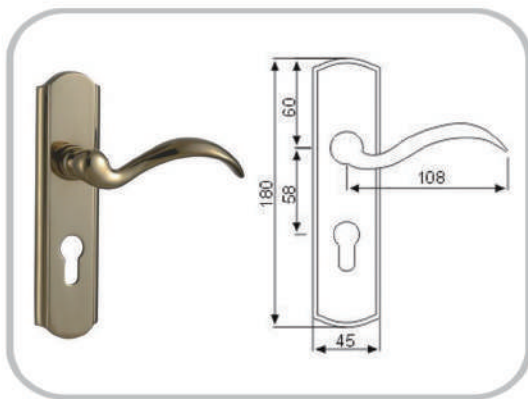
Chrome / Gold / PVD / AB / DAB



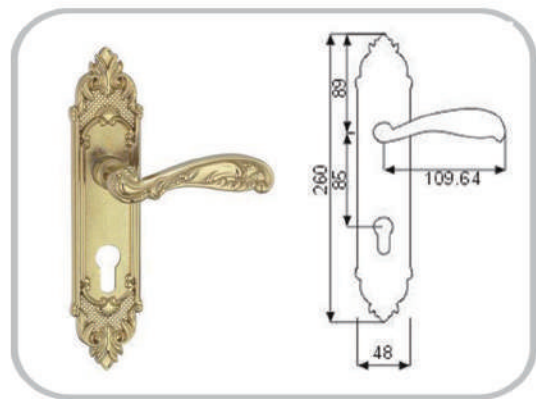
KDH-010-0001



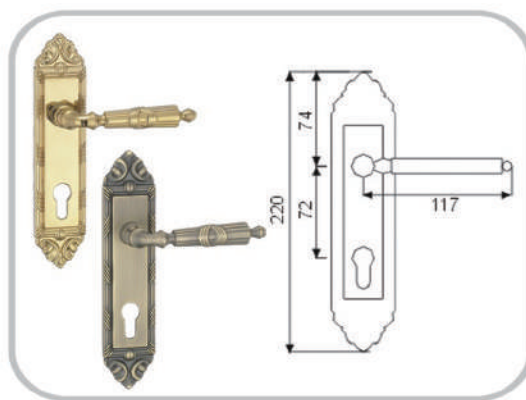
KDH-010-0002



KDH-010-0003



KDH-010-0004

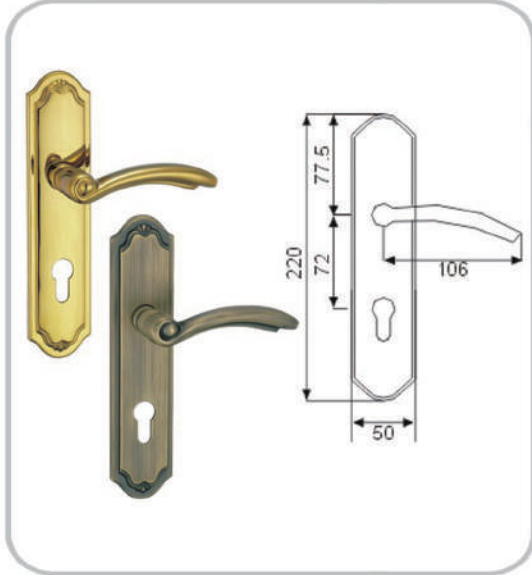


KDH-010-0005

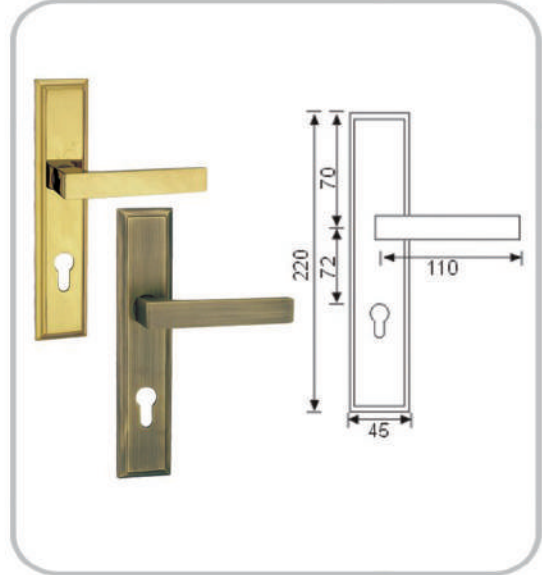
Door Lever Handle on Plate

Brass

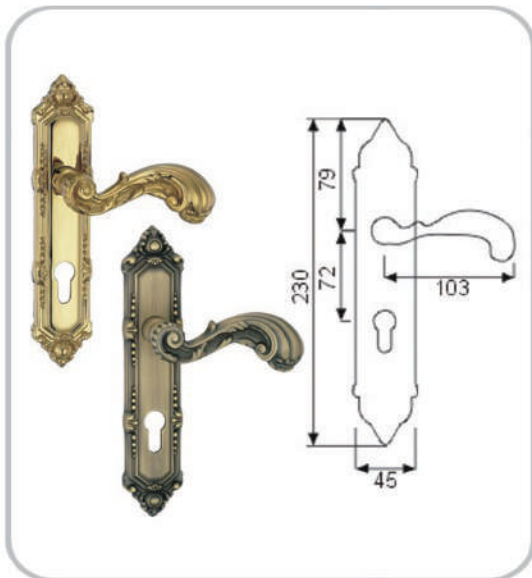
Chrome / Gold / PVD / AB / DAB



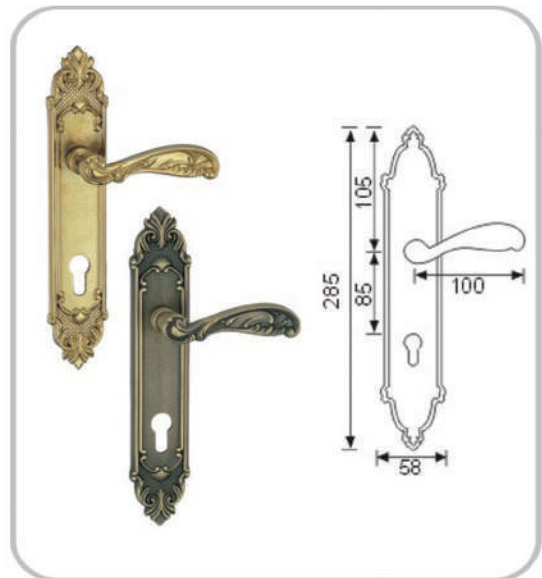
KDH-010-0006



KDH-010-0007



KDH-010-0008

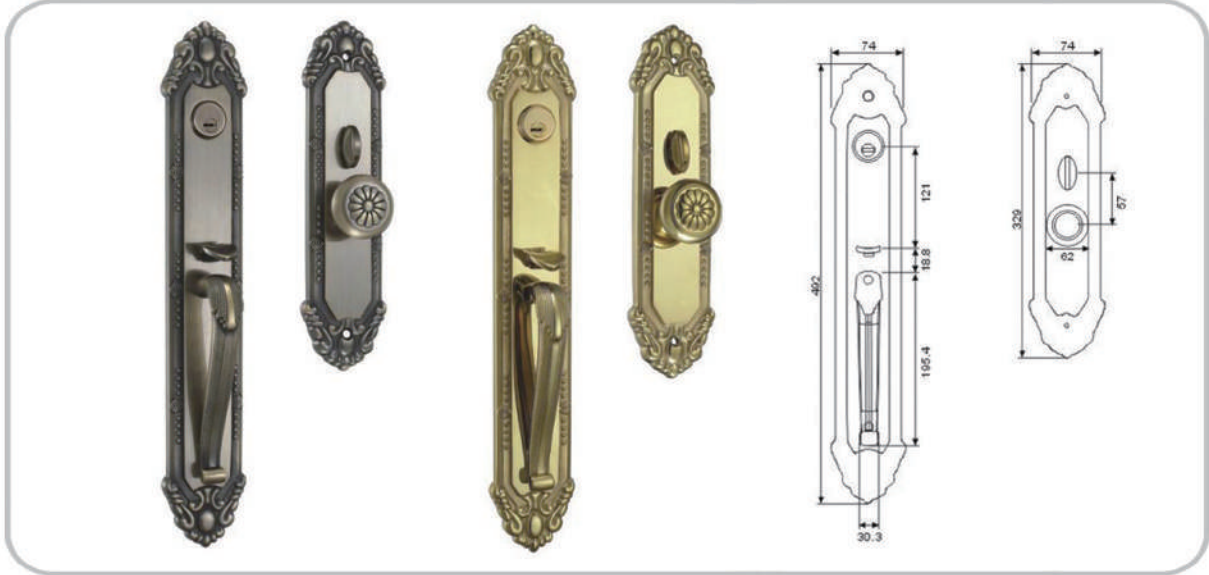


KDH-010-0009

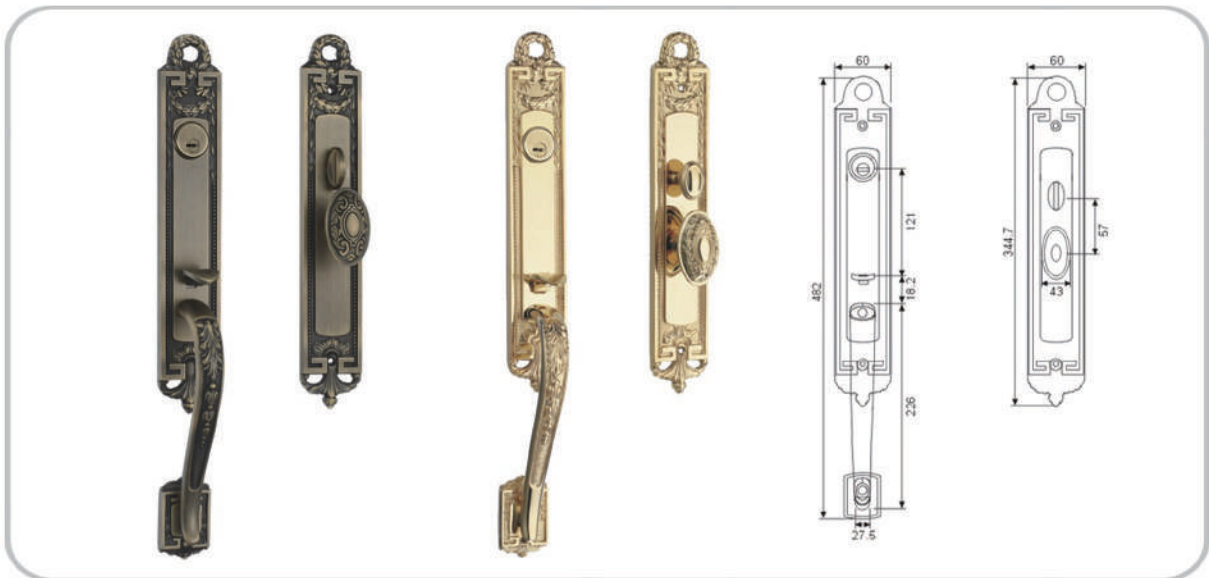
Luxury Handle Set

Brass

Chrome / Gold / PVD / AB / DAB



KDH-009-0001

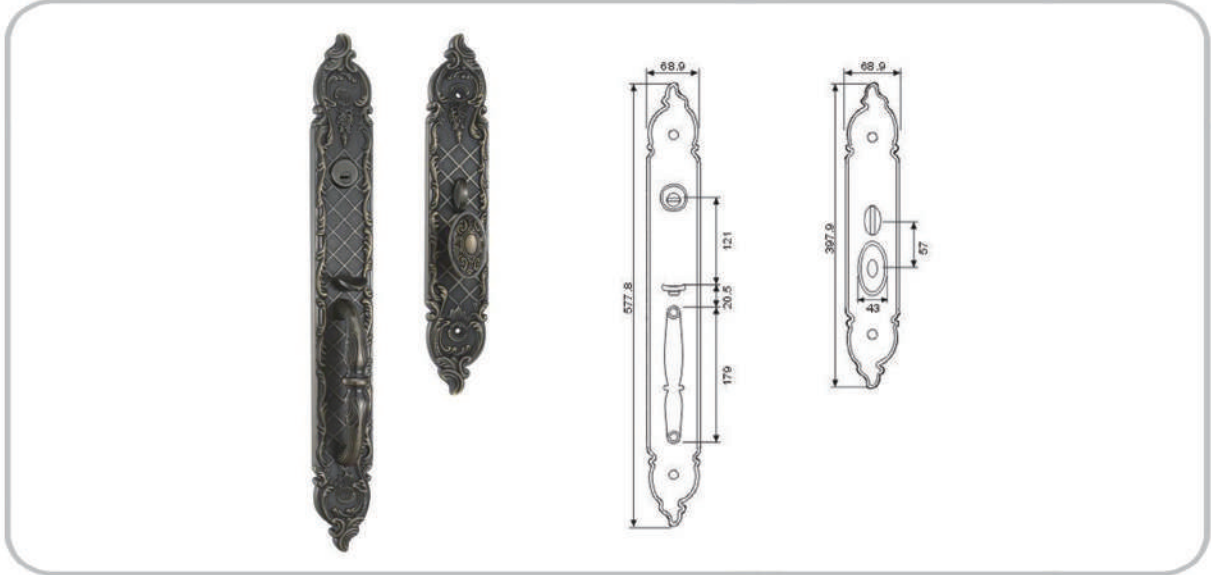


KDH-009-0002

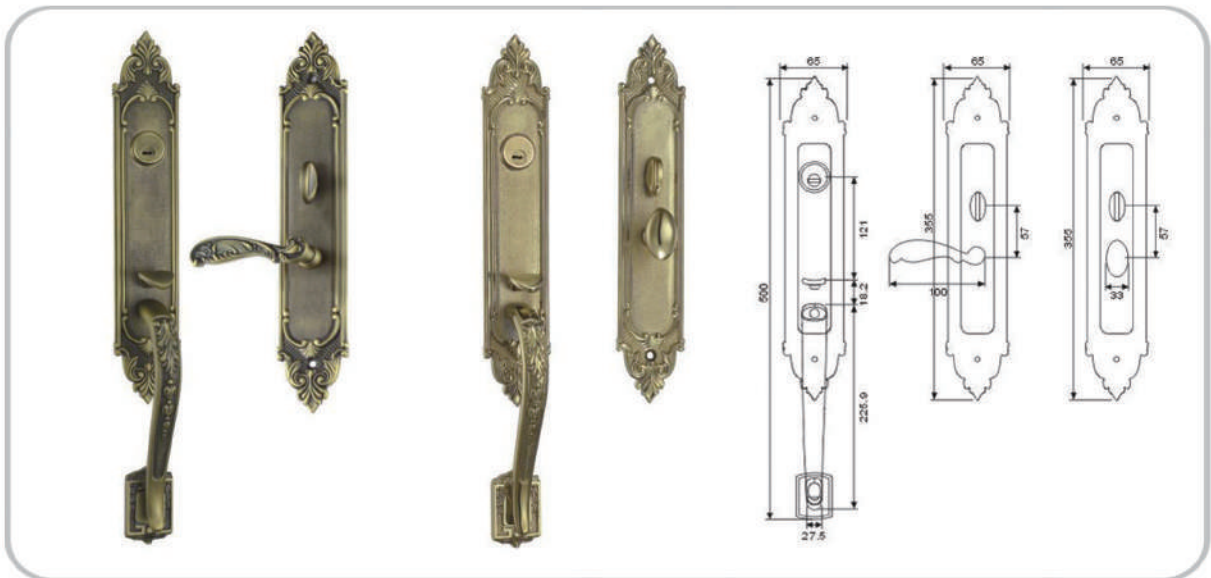
Luxury Handle Set

Brass

Chrome / Gold / PVD / AB / DAB



KDH-009-0003

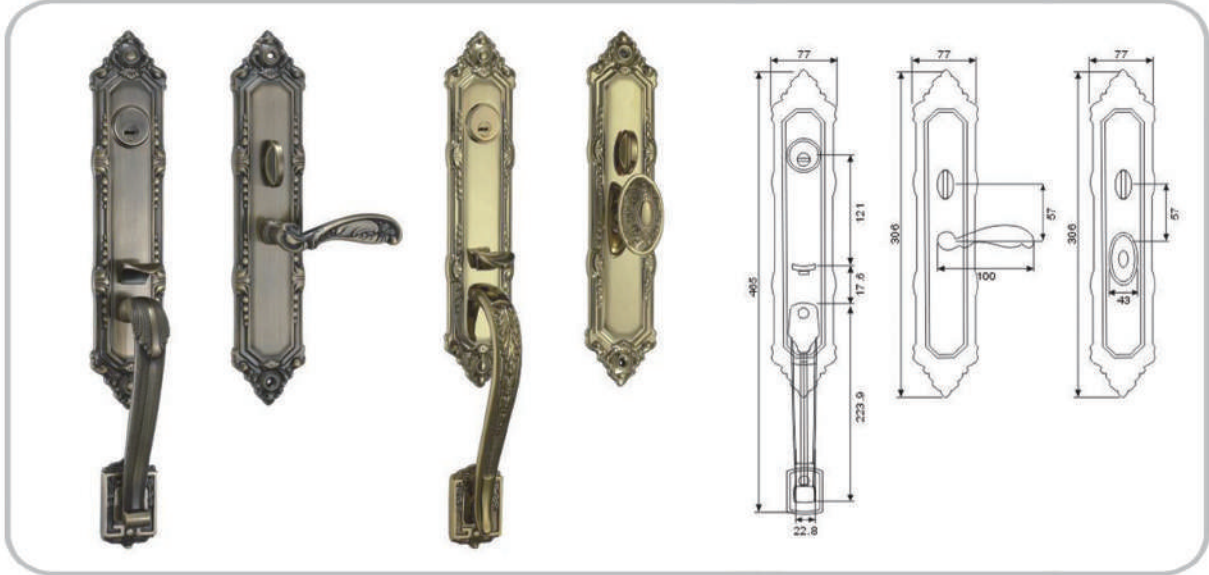


KDH-009-0004

Luxury Handle Set

Brass

Chrome / Gold / PVD / AB / DAB



KDH-009-0005

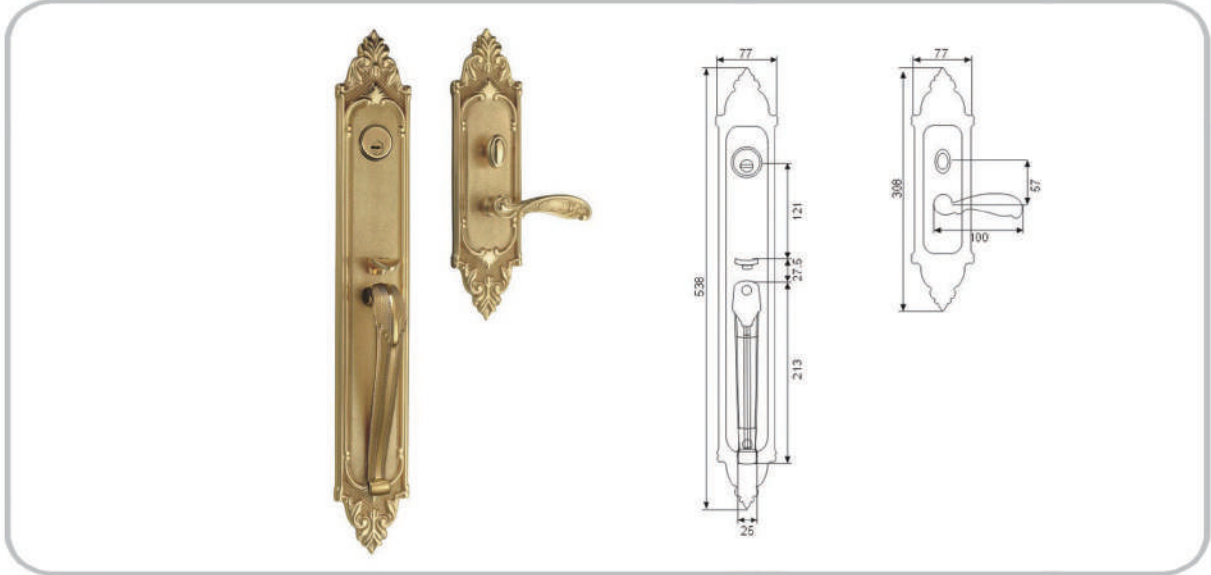


KDH-009-0006

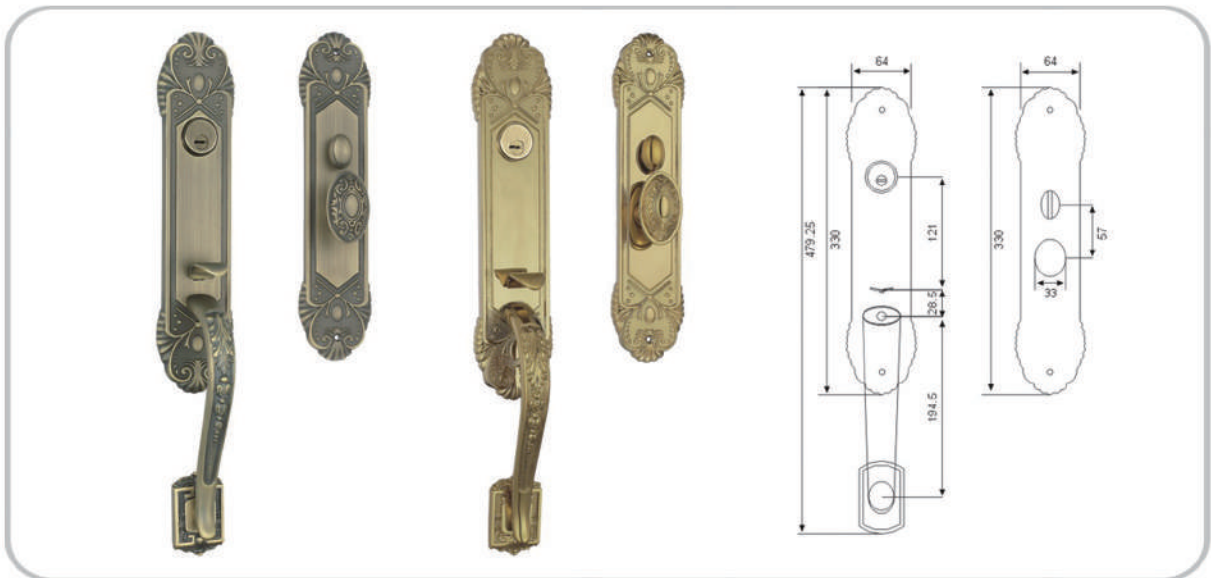
Luxury Handle Set

Brass

Chrome / Gold / PVD / AB / DAB



KDH-009-0007



KDH-009-0008



KDH-012-0001

Length : 450 600 900 1200 mm
Bar Diameter : 32 mm
Stainless Steel



KDH-012-0002

Length : 450 600 900 1200 mm
Bar Diameter : 32 mm
Stainless Steel



KDH-012-0003

Length : 445 595 mm
Bar Diameter : 20 x 40 mm
Stainless Steel



KDH-012-0004

Length : 450 600 900 1200 mm
Bar Diameter : 20 x 40 mm
Stainless Steel



KDH-012-0005

Length : 465 615 mm
Bar Diameter : 20 x 40 mm
Stainless Steel



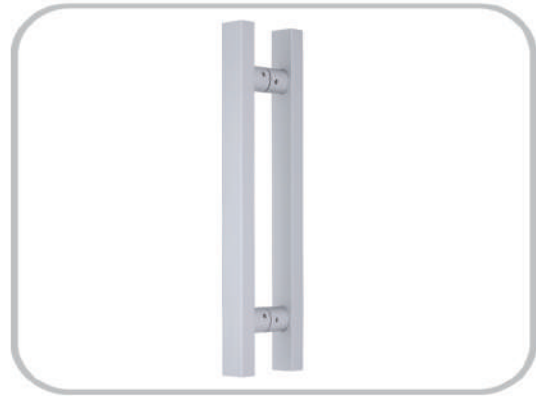
KDH-012-0006

Length : 595 900 mm
Bar Diameter : 20 x 40 mm
Stainless Steel



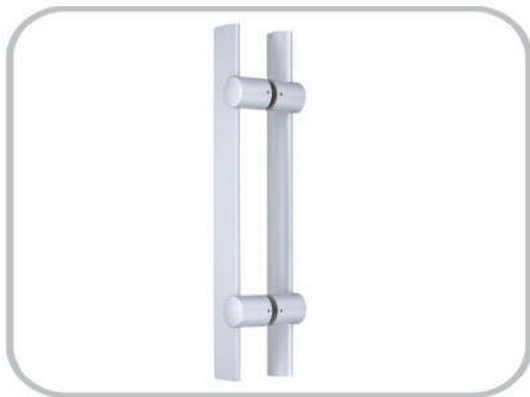
KDH-012-0009

450 x 50 mm (CTC 275 mm)
600 x 50 mm (CTC 425 mm)



KDH-012-0010

Length : 260 mm
Bar Width : 25 mm



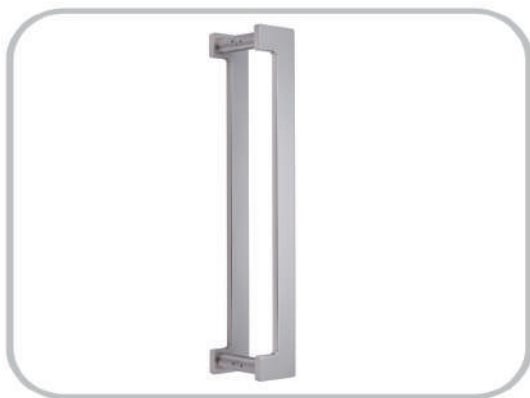
KDH-012-0011

Length : 450 600 mm
Bar Diameter : 50 mm



KDH-012-0012

Length : 300 450 600 mm
Bar Diameter : 35 mm



KDH-012-0013

Length : 308 458 608 mm



KDH-012-0014

Length : 308 458 608 mm



KDH-012-0015

Brass
Ø 300mm x 330mm
Polished Chrome



KDH-012-0016

Stainless Steel
Center to Center : 203 mm, Ø19 x H65 mm
Polished / Brushed / Black

Door Handle

L : Length / A : Center to Center
Size in mm



KDH-018-0001

Stainless steel mirror + wool yarn
A : 275 mm
L : 450 mm
Ø : 13 x 33 mm



KDH-018-0002

Stainless steel mirror
L1 : 450 mm / A1 : 275 mm
L2 : 600 mm / A2 : 425 mm
Ø : 13 x 33 mm



KDH-018-0003

Aluminum / Iron gray
L1 : 300 mm / A1 : 180 mm
L2 : 600 mm / A2 : 425 mm
L3 : 900 mm / A3 : 620 mm
Ø : 13 x 33 mm



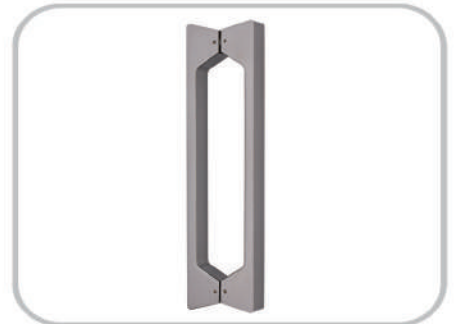
KDH-018-0004

Aluminum / Wool yarn surface
300 x 60 x 9 mm (CTC 180 mm)
600 x 60 x 9 mm (CTC 425 mm)
900 x 60 x 9 mm (CTC 620 mm)
Ø : 9 x 60 mm



KDH-018-0005

Aluminum / Wool yarn surface
L1 : 320 mm / A1 : 275 mm
L2 : 470 mm / A2 : 425 mm
L3 : 620 mm / A3 : 575 mm
Ø : 30 x 40 mm



KDH-018-0006

Aluminum / Iron gray
L1 : 320 mm / A1 : 275 mm
L2 : 470 mm / A2 : 425 mm
L3 : 620 mm / A3 : 575 mm
Ø : 30 x 40 mm



KDH-018-0007

Aluminum / Mist face
L1 : 320 mm / A1 : 275 mm
L2 : 470 mm / A2 : 425 mm
L3 : 620 mm / A3 : 575 mm
Ø : 30 x 40 mm

Door Handle

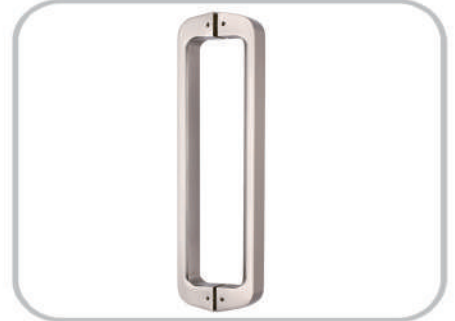
L : Length / A : Center to Center
Size in mm



KDH-018-0008
Aluminum / Wool yarn surface
L1 : 320 / A1 : 275
L2 : 450 / A2 : 425
L3 : 600 / A3 : 575
Ø : 30 x 40



KDH-018-0009
Aluminum / Wool yarn surface
L1 : 320 / A1 : 275
L2 : 450 / A2 : 425
L3 : 600 / A3 : 575
Ø : 30 x 40



KDH-018-0010
Aluminum / Wool yarn surface
L1 : 320 / A1 : 275
L2 : 450 / A2 : 425
L3 : 600 / A3 : 575
Ø : 30 x 40



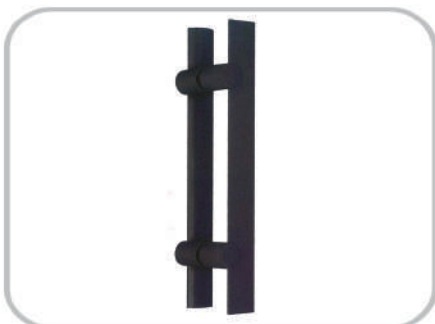
KDH-018-0011
Aluminum surface blush
L1 : 450 / A1 : 275
L2 : 600 / A2 : 425
L3 : 900 / A3 : 620
L4 : 1200 / A4 : 800



KDH-018-0012
Aluminum surface blush
L1 : 450 / A1 : 275
L2 : 600 / A2 : 425
L3 : 900 / A3 : 620



KDH-018-0013
Aluminum surface blush
L1 : 450 / A1 : 275
L2 : 600 / A2 : 425
L3 : 900 / A3 : 620
L4 : 1200 / A4 : 800



KDH-018-0014
Aluminum surface blush
L1 : 450 / A1 : 275
L2 : 600 / A2 : 425
L3 : 900 / A3 : 620
L4 : 1200 / A4 : 800



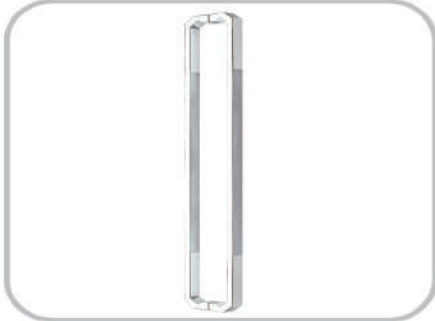
KDH-018-0015
Stainless Steel + Wood
L : 595
A : 575
Ø : 20 x 40



KDH-018-0016
Stainless Steel + Wood
L1 : 605 / A1 : 575
L2 : 900 / A2 : 862
Ø : 30 / 38

Door Handle

L : Length / A : Center to Center
Size in mm



KDH-018-0017
Stainless Steel mirror surface + Hairline
L : 820
A : 800
Ø : 20 x 40



KDH-018-0018
Stainless Steel mirror surface + Hairline
L : 650
A : 575
Ø : 30



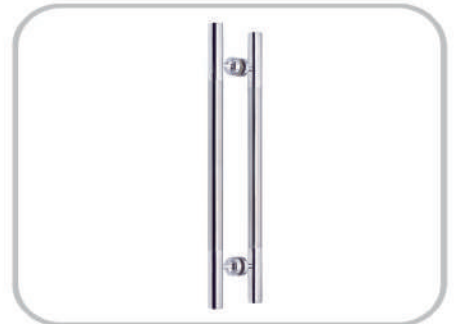
KDH-018-0019
Stainless Steel mirror surface + Hairline
L : 595
A : 575
Ø : 20 x 40



KDH-018-0020
Stainless Steel mirror surface + Hairline
L : 820
A : 800
Ø : 20 x 40



KDH-018-0021
Stainless Steel mirror surface + Hairline
450 x 40 x 20 mm (CTC 275 mm)
600 x 40 x 20 mm (CTC 425 mm)
900 x 40 x 20 mm (CTC 620 mm)
Ø : 20 x 40



KDH-018-0022
Stainless Steel mirror surface + Hairline
L1 : 450 / A1 : 275 / Ø1 : 32
L2 : 600 / A2 : 425 / Ø2 : 32
L3 : 900 / A3 : 620 / Ø3 : 38
L4 : 1200 / A4 : 800 / Ø4 : 38



KDH-018-0023
Stainless Steel mirror surface + Hairline
L1 : 450 / A1 : 275 / Ø1 : 32
L2 : 600 / A2 : 425 / Ø2 : 32
L3 : 900 / A3 : 620 / Ø3 : 38
L4 : 1200 / A4 : 800 / Ø4 : 38



KDH-018-0024
Stainless Steel mirror surface + Hairline
L1 : 595 / A1 : 575
L2 : 900 / A2 : 880
L3 : 1200 / A3 : 1180
Ø : 20 x 40



KDH-018-0025
Stainless Steel mirror surface + Hairline
L1 : 595 / A1 : 575
L2 : 900 / A2 : 880
Ø : 20 x 40

Door Handle

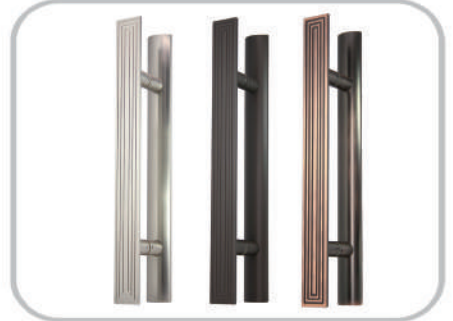
L : Length / A : Center to Center
Size in mm



KDH-018-0026
Stainless Steel mirror surface + Hairline
L1 : 457 / A1 : 425
L2 : 607 / A2 : 575
Ø : 32



KDH-018-0027
Stainless Steel mirror surface + Hairline
L1 : 457 / A1 : 425
L2 : 607 / A2 : 575
Ø : 32



KDH-018-0028
Aluminum
L : 300 / 450 / 600 mm
A : 180 / 275 / 425 mm
Ø : 45 / 45 / 45 mm



KDH-018-0029
Aluminum
L : 300 / 450 / 600 mm
A : 180 / 275 / 425 mm
Ø : 45 / 45 / 45 mm



KDH-016-0001



KDH-016-0002



KDH-016-0003



KDH-016-0004



KDH-016-0005



KDH-016-0006



KDH-016-0007



KDH-016-0008



KDH-016-0009



KDH-016-0010



KDH-016-0011



KDH-016-0012

Coat Hook

Brass



KDH-016-0013



KDH-016-0014



KDH-016-0015



KDH-016-0016



KDH-016-0017

Coat Hook

Zinc Alloy



KDH-017-0001



KDH-017-0002



KDH-017-0003



KDH-017-0004



KDH-017-0005



KDH-017-0006



KDH-017-0007



KDH-017-0008



KDH-017-0009



KDH-017-0010



KDH-017-0011



KDH-017-0012

Coat Hook

Zinc Alloy



KDH-017-0013



KDH-017-0014



KDH-017-0015



KDH-017-0016

60 x 21 x 60 mm
US3 Finish
(Bright Brass, Clear Coated)



KDH-017-0040

Satin Nickel

Coat Hook

Wood Board / Zinc



KDH-017-017
Oil Rubber Bronze



KDH-017-018
Chrome



KDH-017-019
Chrome



KDH-017-020
Satin Nickel



KDH-017-021
Chrome



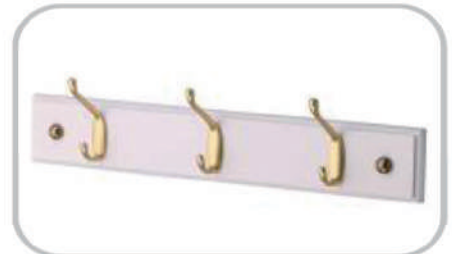
KDH-017-022
Chrome



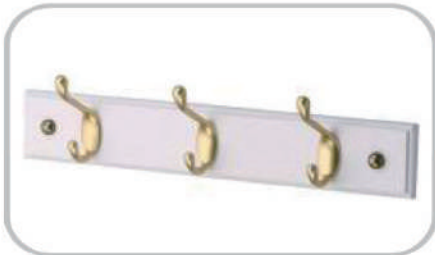
KDH-017-023
Antique Brass



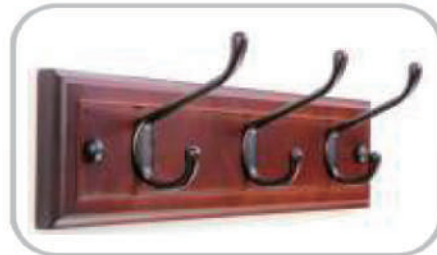
KDH-017-024
Satin Brass



KDH-017-025
Satin Brass



KDH-017-026
Satin Brass



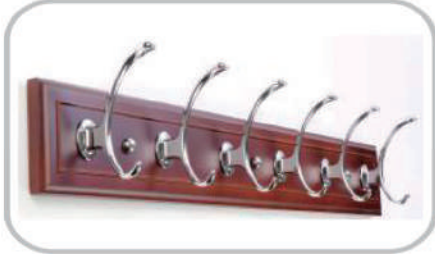
KDH-017-027
Oil Rubber Bronze



KDH-017-028
Satin Chrome

Coat Hook

Wood Board / Zinc



KDH-017-029
Chrome



KDH-017-030
Satin Nickel



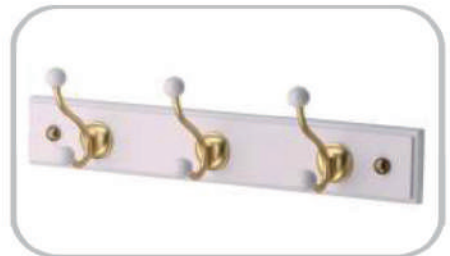
KDH-017-031
Chrome



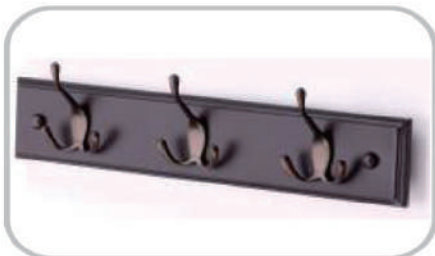
KDH-017-032
Satin Nickel



KDH-017-033
Oil Rubber Bronze



KDH-017-034
Satin Brass



KDH-017-035
Oil Rubber Bronze



KDH-017-036
Oil Rubber Bronze



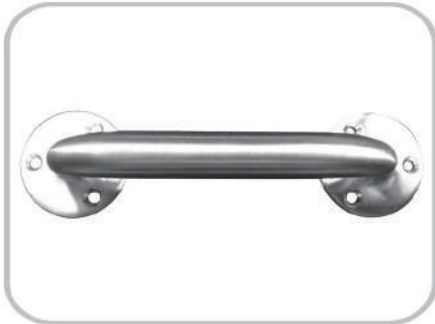
KDH-017-037
Satin Nickel



KDH-017-038
Oil Rubber Bronze



KDH-017-039
Oil Rubber Bronze



KDH-014-0001

Spec. : 190 x 57 x 50.8 mm
Material : Brass
Finish : US26D
(satin chrome plated)



KDH-014-0003

Spec. : 5/8" x 5.5" CTC, 1-3/8" clearnace
Material : Brass
Finish : US10B
(Dark Oxidized Satin Bronze, Oil Rubbed)



KDH-014-0011

Size : 6.48" X 5.5" CTC
Material : Brass
Finish : US3 Finish
(bright brass, clear coated)



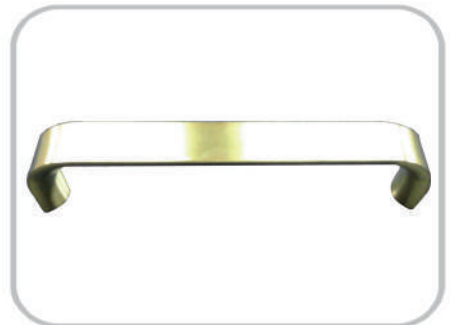
KDH-014-0013

Spec. : 190 x 57 x 50.8 mm
Material : Brass
Finish : US3
(bright brass, clear coated)



KDH-014-0015

Spec. : 190 x 57 x 50.8 mm
Material : Brass
Finish : US10B
(Dark Oxidized Satin Bronze, Oil Rubbed)



KDH-014-0016

Spec. : 165 x 25.4 x 50.8 mm
Material : Brass
Finish: US3
(Bright Brass, Clear Coated)



KDH-014-0020

Spec. : 156 x Ø16 x 60.5 mm
Material : Brass
Finish: US3
(Bright Brass, Clear Coated)



KDH-014-0029

3/4" X 6" CTC, 1-1/2" Clearance
Material: Brass
Finish: US10B



KDH-014-0030

PULL 3/4" X 6" CTC, 1-1/2" Clearance
Material: Stainless Steel 304
Finish: US32D



KDH-014-0031

PULL 1" X 8" CTC, 2" Clearance
Stainless Steel 304
US32D
(Dark Oxidized Satin Bronze, Oil Rubbed)



KDH-014-0032

PULL FLAT 6" CTC, 1-1/2" Clearance
Brass
US10B
(Dark Oxidized Satin Bronze, Oil Rubbed)



KDH-014-0033

152 x 25 x 51 (6" CTC) /
178 x 25 x 51 (7" CTC) /
203 x 25 x 51 (8" CTC)
Stainless Steel 304
US32D(Satin Stainless Steel)



KDH-014-0034

PULL FLAT 8" CTC
1-1/2" Clearance
Brass
US10B
(Dark Oxidized Satin Bronze,
Oil Rubbed)



KDH-014-0035

PULL FLAT 8" CTC
1-1/2" Clearance
Stainless Steel 304
US32D (Satin Stainless Steel)



KDH-014-0036

254 x 82.5 x 114.3 mm
Stainless Steel 304
US32D(Satin Stainless Steel)



KDH-014-0037

ADA Door Pull
Stainless Steel 304
US32D(Satin Stainless Steel)



KDH-014-0038

Push Plate
3.5" X 15" X 0.05"
Brass
US3 (Bright Brass, Clear Coated)



KDH-014-0039

Plate Push
4" X 16" X 0.05"
Brass
US3 (Bright Brass, Clear Coated)



KDH-014-0040

Plate Push
4" X 16" X 0.05"
Brass
US10B
(Dark Oxidized Satin Bronze, Oil Rubbed)



KDH-014-0041

Door Pull
5/8" x 5-1/2" CTC, 1-3/8" clearance
Aluminum
US28(Satin Aluminum, Clear Anodized)



KDH-014-0042

Door Pull
222 x Ø19 x 57 mm
Aluminum
US28(Satin Aluminum, Clear Anodized)



KDH-014-0043

Door Pull
228 x Ø25 x 75.8 mm
Aluminum
US28(Satin Aluminum, Clear Anodized)



KDH-014-0044

Door Pull Plate
Stainless Steel 304
US32D(Satin Stainless Steel)



KDH-014-0045

Pull Plate
Solid Brass or Solid Bronze
Optional Polished Brass or
Oil Rubbed Bronze



KDH-014-0046

Pull Plate
Solid Stainless Steel
Brushed Stainless Steel



KDH-014-0047

Back to Back Mounting Pull
PULL 3/4" x 6" CTC, 1-1/2" Clearance
Stainless Steel 304
US32D

Door Pull

Stainless Steel 304

Mirror surface buffing / Hairline Buffing



KDH-003-0002

163 x 13.7 x 35 mm / 133 x 13.7 x 29 mm



KDH-003-0003

145 x 35 x 34 mm / 130 x 30 x 33 mm
120 x 29 x 30 mm



KDH-003-0004

220 x 22 x 46 mm / 170 x 22 x 46 mm
116 x 18 x 32 mm / 96 x 18 x 32 mm



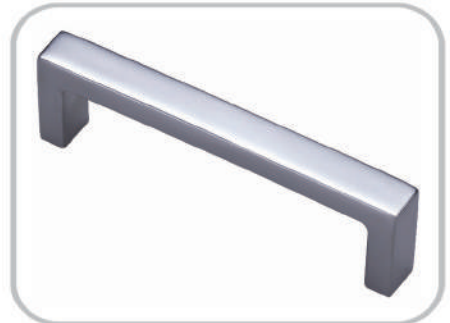
KDH-003-0005

252 x 23 x 40 mm / 234 x 23 x 40 mm
200 x 23 x 40 mm



KDH-003-0006

Pulls with Stopper Handles
Grip is stopped when it is put upright.
(approx. 90°)
176 x 56 x 43 mm / 153 x 51 x 43 mm
144 x 48 x 43 mm



KDH-003-0007

190 x 12 x 30 mm / 140 x 12 x 30 mm
100 x 12 x 30 mm



KDH-003-0008

220 x 22 x 30 mm / 170 x 22 x 30 mm
116 x 18 x 20 mm / 96 x 18 x 20 mm



KDH-003-0009

300 x 12 x 50 mm / 250 x 12 x 50 mm
200 x 12 x 50 mm / 162 x 12 x 50 mm
130 x 10 x 40 mm / 120 x 10 x 40 mm
109 x 9 x 30 mm / 75 x 7 x 31 mm
66 x 6 x 22 mm / 46 x 6 x 22 mm
24 x 4 x 22 mm



KDH-003-0010

300 x 12 x 50 mm / 250 x 12 x 50 mm
200 x 12 x 50 mm / 162 x 12 x 50 mm
130 x 10 x 40 mm / 120 x 10 x 40 mm
109 x 9 x 30 mm / 109 x 9 x 50 mm
75 x 7 x 30 mm / 66 x 6 x 22 mm
46 x 6 x 22 mm



KDH-003-0011
3" / 3-1/2" / 4", 96mm
Iron / Brass / Aluminum



KDH-003-0012
4"
Brass



KDH-003-0013
Brass



KDH-003-0014
Brass



KDH-003-0015
4"
Zinc



KDH-003-0016
6"
Zinc



KDH-003-0017
4"
Zinc



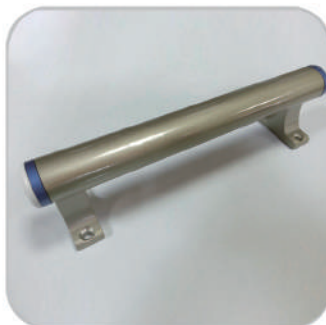
KDH-003-0018



KDH-003-0019
Zinc



KDH-003-0020
6 1/2", 9 3/4"
Steel



KDH-003-0021



KDH-003-0022
6-1/2"
Steel

Door Stop
Brass

US3 : Bright Brass, Clear Coated

US10B : Dark Oxidized Satin Bronze, Oil Rubbed

US26D : Satin Chromium Plated



KDH-005-0003



KDH-005-0004



KDH-005-0005



KDH-005-0006



KDH-005-0007



KDH-005-0008



KDH-005-0009



KDH-005-0010



KDH-005-0011



KDH-005-0012



KDH-005-0013



KDH-005-0014

Door Stop
Brass

US3 : Bright Brass, Clear Coated

US10B : Dark Oxidized Satin Bronze, Oil Rubbed

US26D : Satin Chromium Plated



KDH-005-0015



KDH-005-0016



KDH-005-0017



KDH-005-0018



KDH-005-0019



KDH-005-0020



KDH-005-0021



KDH-005-0022



KDH-005-0023



KDH-005-0024



KDH-005-0025



KDH-005-0026

Door Stop
Brass

US3 : Bright Brass, Clear Coated
US10B : Dark Oxidized Satin Bronze, Oil Rubbed
US26D : Satin Chromium Plated



KDH-005-0027



KDH-005-0028



KDH-005-0029



KDH-005-0031
Spring Loaded Plunger Stop



KDH-005-0030



KDH-005-0038
Ø44.5 mm / Height : 37.3 mm
Ø44.5 mm / Height : 42 mm
Brass / Plastics



KDH-005-0051
1" Wall Bumper Stop



KDH-005-0056
US26D / US3 / US10B / US26
/ US4 / US15 / US5 / US15A
/ US19



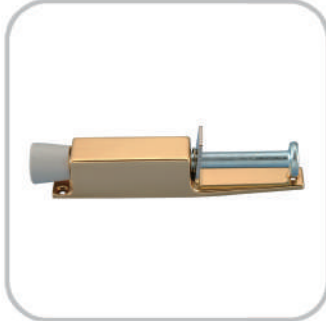
KDH-005-0062
Brass



KDH-005-0063
3"
Brass



KDH-005-0067



KDH-005-0076
7"



KDH-005-0085
4"
Brass / Aluminum



KDH-005-0086
5"
Brass / Aluminum



KDH-005-0087
4" / 5"



KDH-005-0088
1-7/8"



KDH-005-0089



KDH-005-0090
1-3/4" x 1/8"



KDH-005-0091
6.3 x 4.1 x 2.7"



KDH-005-0092



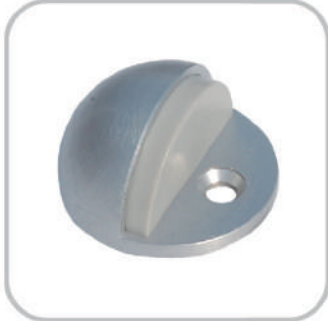
KDH-005-0093



KDH-005-0094
2-1/2" x 2-1/2" x 3"
Zinc

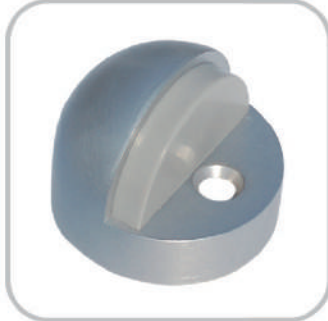


KDH-005-0095
50 x 36 mm
Solid Aluminum
US19 / US15 / US4



KDH-005-0033

Ø44.5 mm / Height : 26 mm



KDH-005-0034

Ø44.5 mm / Height : 35.8 mm



KDH-005-0035

Ø44.5 mm / Height : 40 mm



KDH-005-0036

Ø44.5 mm / Height : 57 mm



KDH-005-0037

Ø44.5 mm / Height : 57 mm



KDH-005-0040

Ø35 mm / Height : 75 mm



KDH-005-0041

Ø35 mm, Height : 50 mm



KDH-005-0042

Ø42 mm, Height : 13 mm
Brushed Nickel / ORB
Zinc + Magnet



KDH-005-0043

3" Solid Door Stop



KDH-005-0045

Hinge Pin Door Stop



KDH-005-0046

Heavy Duty Hinge Pin Door Stop



KDH-005-0048

4" Solid Door Stop

Door Stop
Zinc

US3 : Polished Brass
US4 : Satin Brass
US10B : ORB
US11P : vintage Bronze

US15 : Satin Nickel
US15A : Antique Nickel
US19 : Flat Black
US26 : Polished Chrome



KDH-005-0049
Hinge Door Stop



KDH-005-0050
Hinge Door Stop



KDH-005-0052
Goosenecked Door Stop



KDH-005-0053
Arm : 5"



KDH-005-0054
2" Cylinder Bumper



KDH-005-0055
Arm : 4" / Base : 7/8" x 1 1/4"



KDH-005-0057
3"



KDH-005-0058
3"



KDH-005-0059
3"



KDH-005-0060
3"



KDH-005-0064
3"



KDH-005-0065
K Door Stop



KDH-005-0066



KDH-005-0068



KDH-005-0069
2-1/2"



KDH-005-0070
2-1/2"



KDH-005-0071
1-3/4" x 1/8", 1-3/4" x 1"



KDH-005-0072



KDH-005-0073



KDH-005-0074
1-3/4" x 1/2"



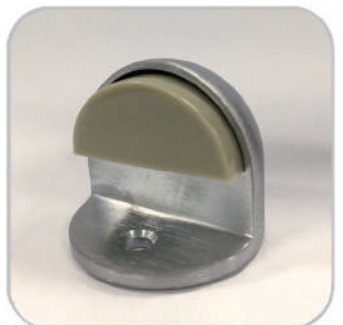
KDH-005-0075
5"



KDH-005-0081



KDH-005-0082



KDH-005-0083

Door Stop

Zinc



KDH-005-0084



KDH-005-0044
3" Spring Door Stop
Steel



KDH-005-0047
3" Spring Door Stop
Steel



KDH-005-0061
3"
Steel



KDH-005-0077
Zinc



KDH-005-0078
Zinc



KDH-005-0079
Zinc



KDH-005-0080
Zinc

Door Catches & Latches

Brass

US3 : Bright Brass, Clear Coated

US10B : Dark Oxidized Satin Bronze, Oil Rubbed

US26D : Satin Chromium Plated



KDH-001-0003

Dust Proof Strike
Without Lock



KDH-001-0004

Dust Proof Strike
With Lock



KDH-001-0006

Heavy Duty Roller Catch
strike plate 70 x 40



KDH-001-0007

Door Catch



KDH-001-008

Door Catch
Roller Latch : 61 x 28.5 x 56.5 mm
Strike : 70.5 x 47 x 3 mm



KDH-001-0009

Door Catch



KDH-001-0010

Door Catch



KDH-001-0011

Gold / Black



KDH-001-0012

Roller Latch



KDH-001-0014

Door Catch



KDH-001-0015

Door Catch



KDH-001-0018

Fire door coordinators
165.1 mm

Door Catches & Latches

US26D(satin chrome plated) / US3(bright brass clear coated) / US10B(dark oxidized stain bronze oild rubbed) /
 US26(bright chrome paltd) / US4(satin brass clear coated) / US15(satin nickel plated clear coated) /
 US5(satin brass blacken satin relieved) / US15A(satin nickel paltd blackened satin relieved clear coated) /
 US19(flat black coated) / US32D(stain stainless steel) / US28(satin aluminum clear anodized)



KDH-001-0019
 Door Catch
 Roller Latch : Brass
 Strike : Brass or Steel
 Size : Roller Latch : 95.3 x 25.4 mm
 Strike : 123.8 x 31.8 mm



KDH-001-0020
 Stainless Ball Catches
 70 x 13 x 23 mm / 50 x 10 x 15.5 mm
 43 x 8 x 13.5 mm
 Cast stainless steel
 Mirror surface buffing



KDH-001-0021
 Ball Catch
 Zinc + Steel



KDH-001-0022
 Drive-in Ball Catch
 Zinc + Steel



KDH-001-0023
 Heavy Duty Roller Catch



KDH-001-0024
 Dust Proof Strike
 Brass



KDH-001-0025
 Roller Catch
 Brass + Steel
 US26D(Satin Chromium Plate)



KDH-001-0026
 Ball Catch
 1/2" - 3/4" - 5/8"
 Zinc



KDH-001-0027
 Adjustable Roller Catch
 2-1/4" x 7/8" x 3/4"
 Iron



KDH-001-0028
 Ball Catch
 1/2" / 3/4" / 5/8"
 Steel



KDH-001-0029
 Ball Catch
 1/2"
 Brass



KDH-001-0030
 Ball Catch
 3/4"
 Brass



KDH-001-0031
Ball Catch
3/4"
Brass



KDH-001-0032
Ball Catch
1/2" / 3/4" / 3/8" / 5/8"
Brass



KDH-001-0033
Ball Catch
1/2" / 3/8" / 5/8" / 5/16"
Brass



KDH-001-0034
Door Catch



KDH-001-0035
Ball Catch
1/4" / 3/8"
Steel



KDH-001-0036
Door Catch
60 x 32mm / 55 x 32mm
45 x 23mm / 36 x 19mm
Zinc



KDH-019-0002

Cylindrical Lock

For doors : 1-3/4" to 2-1/4" thick.

Factory adjusted for 1-3/4".

Backset : 2-3/4" only. Guarded.

Front : Stainless steel, wrought brass, or wrought bronze. 2-1/4" x 1-1/8".

Beveled 1/8" on 2". Rose : 3-3/8" diameter.

Finishes : 605 (US3), 606 (US4), 612 (US10),

613 (US10B), 625 (US26), 626 (US26D)



KDH-019-0003

Locket Set

70 x 120 x 66 mm

Zinc Lever / Stainless Steel Rose

/ Zinc Latch / Metal Strike

US26D Satin Chrome



KDH-019-0004

Door Lock



KDH-019-0005

Door Lock



KDH-019-0006

Door Lock

2-3/4" x 2-1/2" x 1-3/8" /

2-3/4" x 2-1/2" x 1-1/2" /

2-3/4" x 2-1/2" x 1-1/4"

Brass & Steel



KDH-019-0007

Door Lock

Brass

Door Flush Handle

Brass

US260D : Satin Chromium Plated



KCH-003-0013

150 x 45 mm
Brass + SS304



KCH-003-0014

120 x 35.5 mm
Brass + SS304



KCH-003-0015

116 x 99 mm
Brass + SS304



KCH-003-0016

96 x 73 mm
Brass + SS304



KCH-003-0017

79 x 50 mm
Brass + SS304

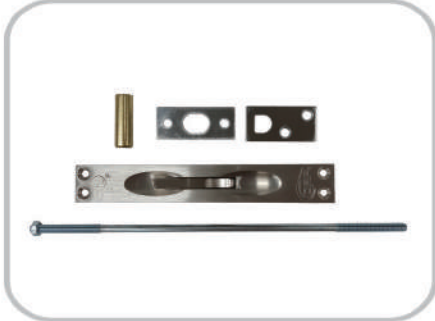
Door Security Bolt & Flush Bolt

Brass

US3 : Bright Brass, Clear Coated

US10B : Dark Oxidized Satin Bronze, Oil Rubbed

US26D : Satin Chromium Plated



KDH-024-0001



KDH-024-0002



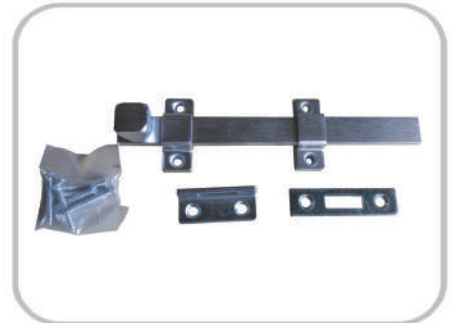
KDH-024-0003



KDH-024-0004
Door Latch
Brass



KDH-024-0005
Concealed Surface Bolt
Projection: 36.5 mm / Length: 203.2 mm
Width: 50.8 mm / throw: 25.4 mm
Steel



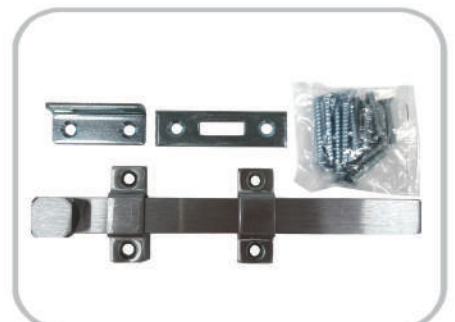
KDH-024-0006
Surface Bolt
Brass



KDH-024-0007
6" Flush Bolt
Brass



KDH-024-0008
Concealed Surface Bolt
Steel
US26D(satin chrome plated)



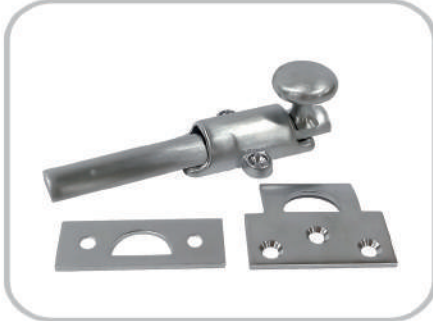
KDH-024-0009
Surface Bolt
Steel
US26D(satin chrome plated)

Door Security Bolt & Flush Bolt

US3 : Bright Brass, Clear Coated

US10B : Dark Oxidized Satin Bronze, Oil Rubbed

US26D : Satin Chromium Plated

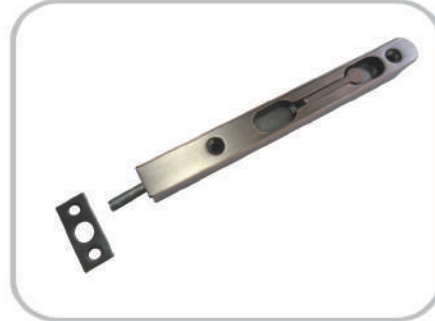


KDH-024-0010

Door Bolt

Brass

US26D / US3 / US10B / US26 / US4
/ US15 / US5 / US15A / US19



KDH-024-0011

7" Door Flush Bolt

Zinc Alloy

US26D (Satin Chrome Plated)
and other finishes



KDH-024-0012

4" Dutch Door Bolt

Brass

US26D / US3 / US10B / US26 / US4
/ US15 / US5 / US15A / US19



KDH-024-0013

7" Door Flush Bolt

Zinc Alloy

US26D (Satin Chrome Plated)
and other finishes



KDH-024-0014

Dust excluding socket, for flush bolt

Brass or Stainless Steel or Steel

45 x Ø30.8 x Ø19mm

US3 / US26 / US15 / US10B / US15A /
US11P / US19 / US4 / US32D



KDH-024-0015

Door bolt

1-1/4" , 2" , 3/4" / Zinc

Polished Brass / Nickel / Satin Nickel
/ Chrome / Oil Rubbed Bronze
/ Satin Chrome



KDH-024-0016

Door Bolt

4"

Brass



KDH-024-0017

Door Bolt

6"

Brass



KDH-024-0018

Door Bolt



KDH-024-0019
Door Bolt
6"
Brass



KDH-024-0020
Door Bolt
Brass / Iron



KDH-024-0021
Door Bolt
6"
Brass



KDH-024-0022
Round Flush Ring Pull
2" / 3" / 4" / 6"
Brass
Polished Brass US3 / Nickel US14 /
Satin Nickel US15 / Chrome US26 /
Oil Rubbed Bronze US10B/
Satin Chrome US26D/ Others

Door Guard

US3 : Polished Brass

US11P : vintage Bronze

US19 : Flat Black

US4 : Satin Brass

US15 : Satin Nickel

US26 : Polished Chrome

US10B : ORB

US15A : Antique Nickel



KDH-022-0001
Door Guard
Zinc



KDH-022-0002
Security door guard
Lever Bar : 126 x 68 x 25.4 mm
Catch: 58 x 43 x 26mm
Brass



KDH-022-0003
Zinc



KDH-022-0004
Steel



KDH-022-0005
3 1/2" x 1 1/4"
Brass & Steel



KDH-022-0006
Brass & Steel



KDH-022-0007
3 1/2" x 1 1/4"
Brass & Iron



KDH-022-0008
Brass



KDH-022-0009
Brass



KDH-022-0010



KDH-022-0011



KDH-022-0012
Chain bolt
6"
Steel in Zinc plated

Door Knocker with Door Viewer

US3 : Polished Brass

US11P : vintage Bronze

US19 : Flat Black

US4 : Satin Brass

US15 : Satin Nickel

US26 : Polished Chrome

US10B : ORB

US15A : Antique Nickel



KDH-026-0001
Zinc



KDH-026-0002
180 Door Viewer
Zinc



KDH-026-0004
Door Knocker
8" x 3-3/4"
Brass

Stair Bracket

US3 : Polished Brass

US11P : vintage Bronze

US19 : Flat Black

US4 : Satin Brass

US15 : Satin Nickel

US26 : Polished Chrome

US10B : ORB

US15A : Antique Nickel



KDH-023-0001
3 11/16" x 2 1/8"
Zinc



KDH-023-0002
3-3/4" x 2-3/8"
Brass



KDH-023-0003
3"
Zinc



KDH-023-0004
3"
Aluminu



KDH-023-0005
4 1/16" x 2 9/16"
Zinc



KDH-023-0006
Zinc / Steel



KDH-023-0007
Zinc / Steel



KDH-023-0008
Zinc / Steel



KDH-023-0009
Brass



KDH-023-0010
3-3/8"
Brass



KDH-023-0011
3-3/16"
Zinc Alloy

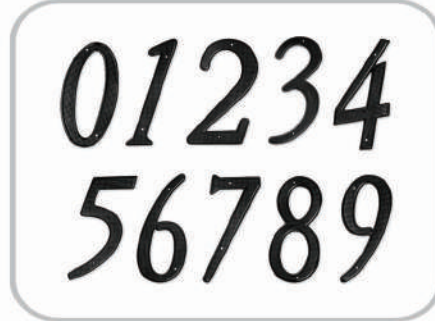


KDH-023-0012
3-1/4"
Zinc Alloy



KDH-002-0001

Solid Brass
Polished Chrome / Satin Nickel /
Polished Brass / Oil Rubbed Bronze

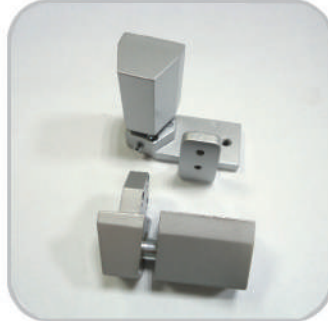


KDH-002-0002

4"
Zinc,
US19 (Flat Black)



KDH-004-0001
Cafe Door Hinge Set
Steel



KDH-004-0002
Door Hinge
Aluminum



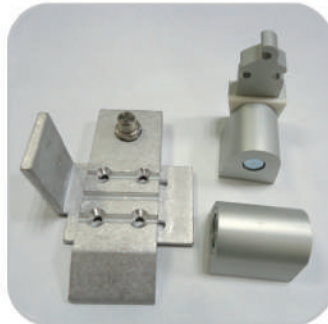
KDH-004-0003
Door Hinge
Aluminum



KDH-004-0004
Offset Pivot Hinge
Aluminum



KDH-004-0005
Door Hinge
Aluminum



KDH-004-0006
Door Hinge
Aluminum



KDH-004-0007
Offset Pivot Hinge
Aluminum



KDH-004-0008
Door Hinge
Aluminum



KDH-004-0009
Door Hinge
Aluminum



KDH-004-0010
Door Hinge
Aluminum



KDH-004-0011
Door Hinge
Aluminum



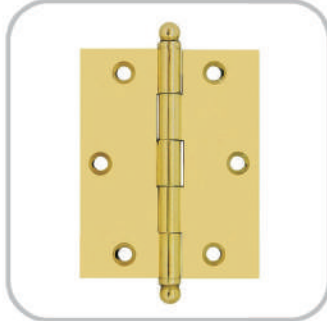
KDH-004-0012
Door Hinge
Aluminum



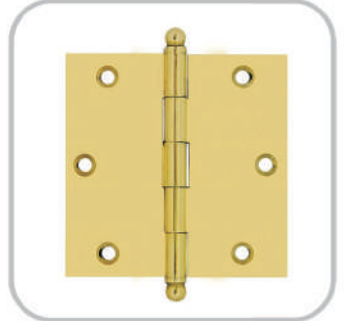
KDH-004-0014
Door Hinge
2-3/4" x 30mm
Brass



KDH-004-0016
Cabinet Hinge (Pair)
2-1/2" x 1-7/10"
Brass



KDH-004-0017
Cabinet Hinge (Pair)
2-1/2" x 2"
Brass



KDH-004-0018
Cabinet Hinge (Pair)
2-1/2" x 2-1/2"
Brass



KDH-004-0019
Cabinet Hinge
3" x 2"
Brass



KDH-004-0020
Cabinet Hinge
Zinc Diecast



KDH-004-0021
Cabinet Hinge
2" x 1-1/2"
Brass

The world of Kaitrum
made to comfort your life.

